

## FK Fighter Minimum Body Width

FK Fighter vehicles with a RAV entry date post 1<sup>st</sup> February 2022 must be fitted with a body greater than 2300mm in width in order to comply with ADR 14/02.

In accordance with Australian Design Rules (ADR) 14/02 – Rear Vision Mirrors, principally Appendix C clause 4.3, mirrors may project 230 mm on each side beyond the point of ‘Overall Width’ of the vehicle provided that the mirror is capable of collapsing to 150 mm. Refer to Figure 1.

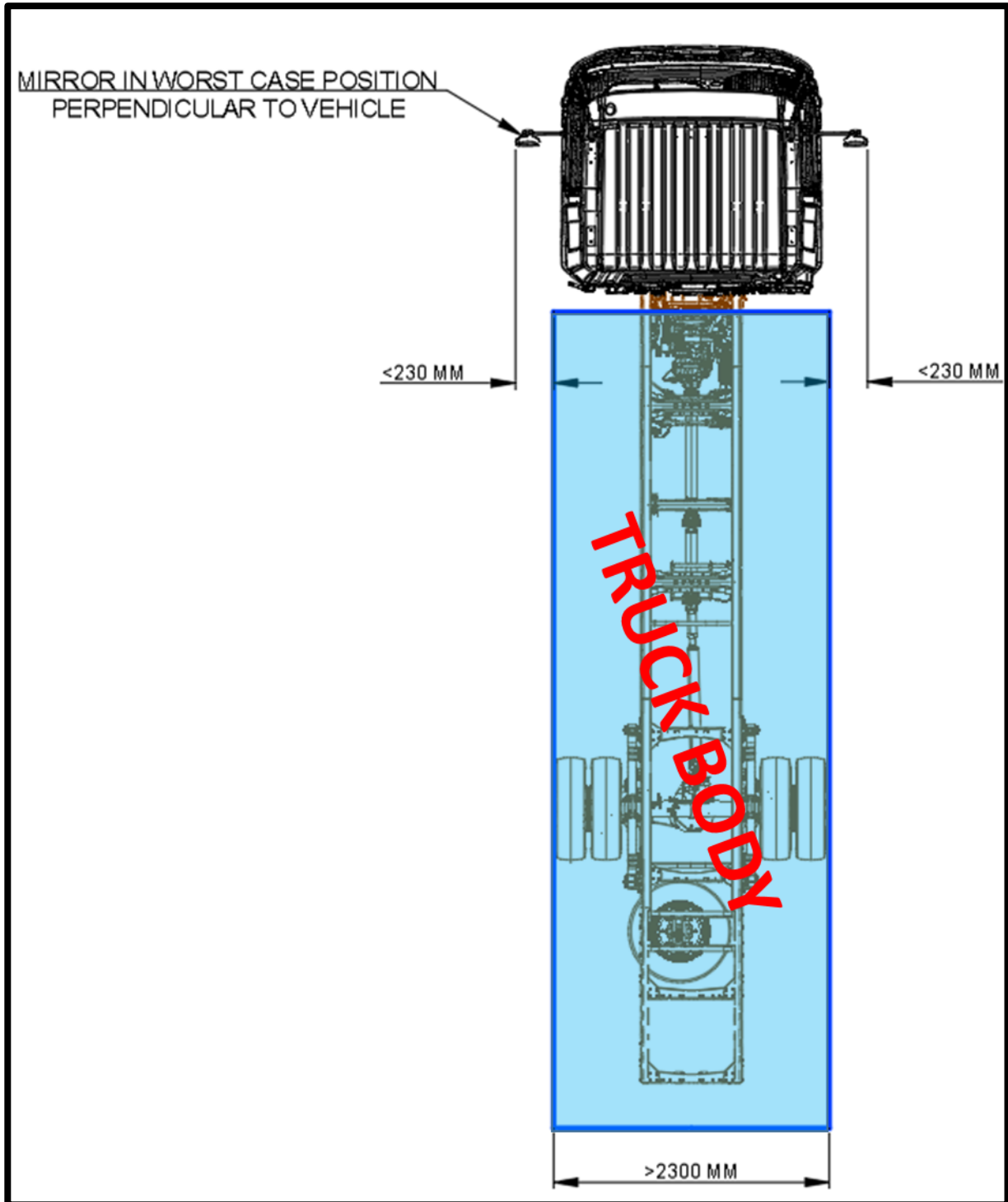


Figure 1