

CANTER

FUSO

CANTER 615 TIPPER

4X2 / LSD / MANUAL OR DUONIC AMT



**OUR SAFEST CANTER EVER WITH AEB, LDWS AND ESP STANDARD.
ONLY JAPANESE FACTORY TIPPER WITH A LIMITED SLIP DIFFERENTIAL.**

GVM

6,000KG

GVM

9,500KG

Power/Torque

110kW / 370Nm

- Light rigid licence required. Can be derated and driven with a passenger car licence.
- Actual product may vary from image shown.

CANTER SPECIFICATIONS

MODEL

A	4X2 615 CITY CAB TIPPER SWB 6 SP. AMT (FEA61BR3SFBG)
B	4X2 615 CITY CAB TIPPER SWB 5 SP. MAN (FEA61BR4SFBG)

WHEEL BASE

2500mm
2500mm

GVM (optional)

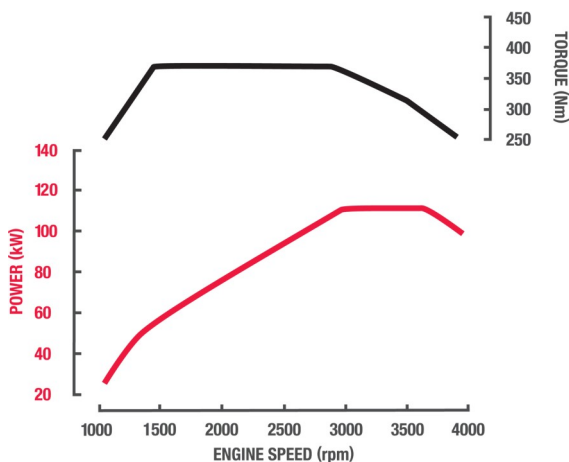
6,000kg (4,495kg)
6,000kg (4,495kg)

GCM (optional)

9,500kg (7,995kg)
9,500kg (7,995kg)

Engine

Engine Version	FUSO 4P10-T4 Diesel
Configuration	4 Cyl. In-line DOHC, 4-Valve
Injection System	Bosch Common Rail Direct Injection Bosch Piezo Technology Injectors
Type	Variable Geometry Turbo Charged Air to Air Intercooled
Displacement	3 litre (2998cc)
Bore	95.8mm
Stroke	104mm
Power (DIN)	110kW @ 2840~3500 rpm
Torque (DIN)	370Nm @ 1350~2840 rpm
Maximum Engine Speed	4100 rpm
Compression Ratio	17.5:1
Cooling System / Oil Cooler	Water cooled, 13.0L capacity/ Plate type engine oil cooler
Air Cleaner	Paper Element Type with Restrictor Indicator. Vertical Intake Mounted on Clean Air Side (RH)
Emission Control	Diesel Particulate Filter (DPF) Exhaust Dash Display DPF Status 0~9 (Empty~Full) Parked Regeneration possible from 7~9
Emission Level	ADR 80/03 - Euro 5



Fuel

Tank Type	Rectangular Steel Tank with Locking Cap
Fuel Capacity *	70 Litres
Filtration	Filter with Water Separator and Indicator Sensor
Notes	*Max Fill to approx 95% of capacity

Cooling

Fan Drive	Thermo modulated continuous control (Viscous)
Radiator	Corrugated Fin with Expansion Tank

Electrical

Voltage	12V Negative Earth
Battery Capacity	2x12V, 70Ah/5hr
Battery Specification	115D31L x2
Headlamp Type	LED
Body Builder Harness	Yes

Clutch

Clutch Model	A Fully Automated Dual Clutch (no clutch pedal)	B FUSO C4W30
Type	A Dual Clutch (Wet Multi-plate)	B Single Dry Plate, Direct Hydraulic Type

Transmission

Version	A FUSO DUONIC M038S6	B FUSO M038S5
Type/Speeds	A 6 Speed Dual Clutch with Auto and Manual Modes	B 5 Speed with In-Dash Gearshift Lever
Features	A Virtually Instant Gear Changes In-Dash Gear Lever with Park Brake Position ECO Mode to Minimise Fuel Usage	B Synchronesh 1st-5th
Ratios	A 1st: 5.397 2nd: 3.788 3rd: 2.310 4th: 1.474 5th: 1.000 6th: 0.701 Rev. 5.397	B 1st: 5.494 2nd: 3.038 3rd: 1.592 4th: 1.000 5th: 0.723 Rev. 5.494

Front Axle

Axle Version	FUSO F200T
Type	Reverse Elliot 'I' Beam
Capacity *	2570kg
Notes	*See MAX LOADING for vehicle capacity.

Front Suspension

Type	Multi-Leaf with Double Acting Shock Absorbers
Size	1150x70mm Leaves

Rear Axle

Type	Full Floating Banjo Type with Positive Locking Limited Slip Differential (LSD).
Axle Version	FUSO R033T
Capacity*	4500kg
Ratio	5,285:1
Notes	*See MAX LOADING for vehicle capacity.

Rear Suspension

Type	Steel Suspension
Details	Semi-Elliptic Leaf with Double Acting Shock Absorbers
Size Main Leaves	1100x70mm
Size Helper Leaves	N/A

Max Loading

Front	2570kg
Rear	4500kg
Total	6000kg

Options

Options	H31: 4495/7995kg GVM/GCM Rating
---------	---------------------------------

Steering

Type	Integral Ball and Nut Type
Steering Column	Tilt/Telescopic Adjustable
Power Assist	Standard

CANTER SPECIFICATIONS

MODEL

A	4X2 615 CITY CAB TIPPER SWB 6 SP. AMT (FEA61BR3SFBG)
B	4X2 615 CITY CAB TIPPER SWB 5 SP. MAN (FEA61BR4SFBG)

WHEEL BASE

2500mm
2500mm

GVM (optional)

6,000kg (4,495kg)
6,000kg (4,495kg)

GCM (optional)

9,500kg (7,995kg)
9,500kg (7,995kg)

Brakes	
Type	Hydraulic Dual Circuit with Front and Rear Discs Twin Calliper Front and Rear
Size Front	235x40mm
Size Rear	235x40mm
Features	ABS plus EBD (Electronic Brake Distribution) Active Emergency Braking System (AEBS) Electronic Stability Program (ESP) Exhaust Brake Electronic Brake Wear Sensors
Park Brake	Transmission Mounted

Wheels & Tyres	
Wheel Type	7 x Single Piece Disc Rims (Including Spare)
Wheel Size	16.0x5.5K-115
Wheel Stud Pattern	5 Stud 208 PCD
Tyre Type	Tube less
Tyre Size Front	205/85R16 117/115
Tyre Size Rear	205/85R16 117/115
	LUG Tyres Fitted (for Extra Traction)
Spare Tyre Carrier	Provided

Chassis	
Type	Tapered Frame with Box Reinforcement
Size	190x60x5mm
Tensile Strength	440 MPa

Instruments	
Gauges	Speedometer with Odometer Tachometer Fuel Level Water Temperature
Colour Information Display	Fuel Consumption DPF Bar Chart from 1~9 Water Temperature Maintenance Reminder System Tripmeters

Multi-Media Package	
Satellite Navigation	GPS navigation specifically designed for commercial vehicle applications, with 3 years of Map updates included.
Colour Display	8 inch LCD with touch screen control
Phone Connectivity	Bluetooth® hands free + phone mirroring.
Audio Visual Entertainment	Bluetooth® music streaming compatible Digital radio DAB+ (also AM/FM for areas not covered by DAB+) & USB
Reversing Camera Compatible	1 Reverse Camera fitted as standard Display can accept up to 5 additional cameras#
Notes	# Cameras available through spare parts

Standard Features	
Airbag(s)	Dual Air Bags and Seat Belt Pre-Tensioners (Driver & Far Side Passenger)
Active Safety Features	ABS plus Electronic Brake force Distribution (EBD) Advanced Emergency Braking (AEBS) Anti-Slip Regulator (ASR) Electronic Stability Program (ESP) Lane Departure Warning System (LDWS)
Cruise Control	A Yes B No
Hill Start System	A Yes B No
Cab Cooling & Heating	Air Conditioner / Heater / Demister
Accessory Power	12V Accessory Power Outlet / Cigar Lighter
Driving	Fuso Multimedia Unit Keyless Central Locking Cruise Control Electric Windows Cup Holders (2)
Storage	Dual Overhead Storage Pockets In-Dash Centre Document Storage Door Storage Pockets Dash Storage Tray (1 DIN) Coat Hooks
Cab: External	Front End-Outline Marker Lamps Door Side Impact Beams
Chassis	Reverse Warning Buzzer Factory Reverse Camera with Infrared Display and Audible Pickup (Supply only in Cabin with Cab Chassis)

Cab Features	
Type	All Steel Forward Control Manual Tilt
Cab Structure	ECE-R29 European Cab Strength Approved
Mounting	Hydroelastic 4 Point
Additional Engine Access	N/A
Colour	Natural White
Windscreen Wipers	2 Speed + Intermittent Cycle with Integrated Washer Nozzles
Rear Vision Mirrors	1 x Internal 2 x External Convex (ECE 46) - Heated
Seating Capacity	3
Seat Belts	Lap Sash Belts for Outside Seating Positions Lap Belt for Centre Seat Driver Seat Belt Warning
Seat (driver)	Fixed Reclining LH Arm Rest & Lumbar Support
Seats (passenger)	Flat Folding, 2 Passenger Bench

Service Intervals	
Interval*	30,000km or 12 Months (whichever occurs first)

Warranty	
Basic/Powertrain	5 Years or 200,000kms (whichever occurs first)
Notes	* based on normal operating conditions and may be reduced when operating under severe conditions.

Performance	
Turning Circle (kerb to kerb - metres)	10.2
Road Speed (km/h) at Max Engine Speed	A 142 B 140
Engine Speed (rpm) at 100km/hr (top gear)	A 2661 B 2531
Gradeability at Rated GVM (theoretical)*	A 34% B 35%
Notes	*This is theoretical performance only. Actual performance may vary under different conditions

CANTER SPECIFICATIONS

MODEL

A	4X2 615 CITY CAB TIPPER SWB 6 SP. AMT (FEA61BR3SFBG)
B	4X2 615 CITY CAB TIPPER SWB 5 SP. MAN (FEA61BR4SFBG)

WHEEL BASE

2500mm
2500mm

GVM (optional)

6,000kg (4,495kg)
6,000kg (4,495kg)

GCM (optional)

9,500kg (7,995kg)
9,500kg (7,995kg)

Mass estimated*

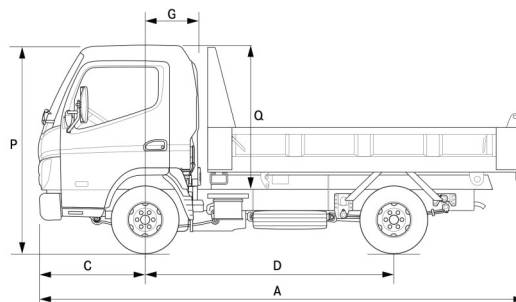
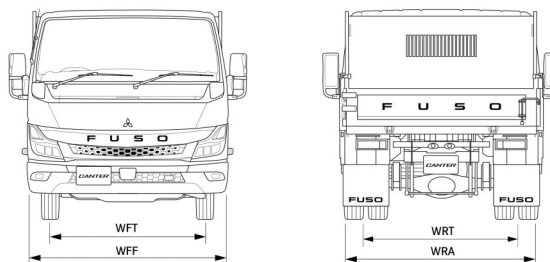
Front*	A	B
	1485kg	1465kg
Rear*	A	B
	1160kg	1165kg
Total*	A	B
	2650kg	2630kg
Notes	* Mass (est.) includes oil and water but excludes spare wheel, tools & fuel. Weights provided are subject to 3.5% variation (+/-)	

Dimensions mm

WFF (Width Front Fender) (mm)	1695
WRA (Width Rear Axle) (mm)	1675
WFT (Width Front Track) (mm)	1390
WRT (Width Rear Track) (mm)	1235
Width Frame (mm)	700
A - Length Overall (mm)	4690
C - Front Overhang (mm)	990
D - Wheelbase (mm)	2500
G - Front Axle to Rear of Cab (mm)	525
P - Height Cab to Ground (mm)	2125
Q - Height Cab to Frame (mm)	1471
Tipper Body Width Outside	1880
Tipper Body Width Inside	1780
Tipper Body Length Inside	3050
Tipper Capacity (cubic metres)	2.0

Built Ready

Features	<ul style="list-style-type: none"> • Step • 2-way Tailgate • Dropdown sides gates • Slotted headboard • Hydraulic body lock • 55 degree tilt angle
----------	--



Call 1800 033 557

or visit fuso.com.au

Unless specified in writing herein the accessories, applications, bodies or equipment depicted in this are for illustration purposes only and may not be available from Daimler Truck Australia Pacific Pty Ltd. ABN 86 618 413 282 DTAuP. No representation or warranty whatsoever is given in relation to any accessories, applications, bodies or equipment or suitability of same that are shown herein that may be manufactured, supplied or fitted by a party other than DTAuP. DTAuP reserves the right without notice or obligation to discontinue or make changes to the colour, designs, materials and specifications of the products and options referred to herein at any time. For the most current information and in order to ascertain which accessories, applications, bodies and equipment are available from DTAuP please contact your authorised FUSO dealer. Fuso is a registered trademark of Daimler Truck Australia Pacific Pty Ltd. Copyright DTAuP. Reproduction in whole or part prohibited without written approval. Valid from 01-Oct-24.