

# CANTER

FUSO

## CANTER FG

4X4 / WIDE CREW CAB / MANUAL HIGH/LOW RANGE



**OFF-ROAD TYRES, LOCKABLE FRONT HUBS AND REAR LIMITED SLIP DIFF.  
CLASS LEADING TARE WEIGHT AND 30,000KM SERVICE INTERVALS.**

**GVM**

**6,500<sub>KG</sub>**

**GCM**

**10,000<sub>KG</sub>**

**Power/Torque**

**110<sub>kW</sub> / 370<sub>Nm</sub>**

- Light rigid licence required. Can be derated and driven with a passenger car licence.
- Actual product may vary from image shown.

# CANTER SPECIFICATIONS

## MODEL

4X4 FG WIDE CREW CAB MWB 5 SP. MAN (FGB71ER6WFBG)

## WHEEL BASE

3415mm

## GVM (optional)

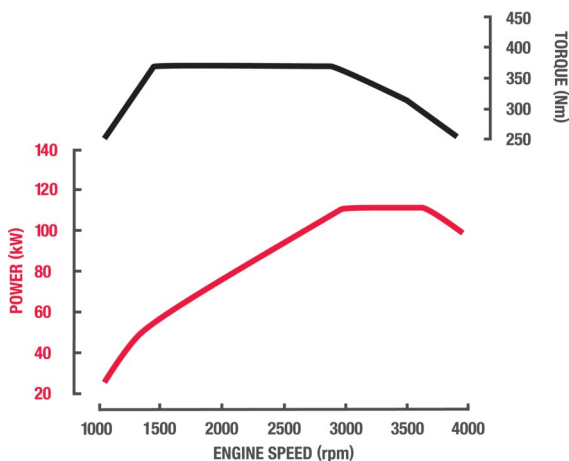
6,500kg (4,495kg)

## GCM (optional)

10,000kg (7,995kg)

### Engine

|                             |   |
|-----------------------------|---|
| Engine Version              | FUSO 4P10-T4 Diesel   |
| Configuration               | 4 Cyl. In-line DOHC, 4-Valve  |
| Injection System            | Bosch Common Rail Direct Injection<br>Bosch Piezo Technology Injectors  |
| Type                        | Variable Geometry Turbo Charged<br>Air to Air Intercooled   |
| Displacement                | 3 litre (2998cc)  |
| Bore                        | 95.8mm  |
| Stroke                      | 104mm   |
| Power (DIN)                 | 110kW @ 2840~3500 rpm   |
| Torque (DIN)                | 370Nm @ 1350~2840 rpm   |
| Maximum Engine Speed        | 4100 rpm  |
| Compression Ratio           | 17.5:1  |
| Cooling System / Oil Cooler | Water cooled, 14.8L capacity/ Plate type engine oil cooler  |
| Air Cleaner                 | Paper Element Type with Restrictor Indicator. Vertical Intake Mounted on Clean Air Side (RH)                              |
| Emission Control            | Diesel Particulate Filter (DPF) Exhaust Dash Display DPF Status 0~9 (Empty~Full)<br>Parked Regeneration possible from 7~9 |
| Emission Level              | ADR 80/03 - Euro 5  |



### Fuel

|                 |  |
|-----------------|--|
| Tank Type       | Rectangular Steel Tank with Locking Cap          |
| Fuel Capacity * | 100 Litres                                       |
| Filtration      | Filter with Water Separator and Indicator Sensor |
| Notes           | *Max Fill to approx 95% of capacity              |

### Cooling

|           |   |
|-----------|---|
| Fan Drive | Thermo modulated continuous control (Viscous) |
| Radiator  | Corrugated Fin with Expansion Tank            |

### Electrical

|                       |                    |
|-----------------------|--------------------|
| Voltage               | 12V Negative Earth |
| Battery Capacity      | 2x12V, 70Ah/5hr    |
| Battery Specification | 115D31L x2         |
| Headlamp Type         | LED                |
| Body Builder Harness  | Yes                |

### Clutch

|              |   |
|--------------|---|
| Clutch Model | FUSO C4W30                              |
| Type         | Single Dry Plate, Direct Hydraulic Type |

### Transmission

|             |  |
|-------------|--|
| Version     | FUSO M038S5  |
| Type/Speeds | 5 Speed with In-Dash Gearshift Lever   |
| Features    | Synchromesh 1st-5th  |
| Ratios      | 1st: 5.494<br>2nd: 3.038<br>3rd: 1.592<br>4th: 1.000<br>5th: 0.723<br>Rev. 5.494 |
| PTO Opening | LH Side  |

### 4x4 Transfer

|              |          |
|--------------|----------|
| Model        | FUSO TF3 |
| No of Speeds | 2        |
| Synchromesh  | No       |
| Ratio - Low  | 1.987    |
| Ratio - High | 1.090    |

### Front Axle

|              |  |
|--------------|--|
| Axle Version | FUSO D1H   |
| Type         | Full Floating Hypoid with Constant Velocity Universal Joints |
| Hubs         | Free Wheel, Manual Locking Type                              |
| Ratio        | 5.285:1  |
| Notes        | *See MAX LOADING for vehicle capacity.                       |

### Front Suspension

|      |   |
|------|---|
| Type | Multi-Leaf with Double Acting Shock Absorbers |
| Size | 1150x70mm Leaves                              |

### Rear Axle

|              |   |
|--------------|---|
| Type         | Full Floating Hypoid Type Positive Locking Limited Slip Differential (LSD). |
| Axle Version | FUSO D035H  |
| Ratio        | 5.285:1   |
| Notes        | See MAX LOADING for vehicle capacity.                                       |

### Rear Suspension

|                  |   |
|------------------|---|
| Type             | Steel Suspension                              |
| Details          | Multi-Leaf with Double Acting Shock Absorbers |
| Size Main Leaves | 1250x70mm                                     |

### Max Loading

|       |        |
|-------|--------|
| Front | 2800kg |
| Rear  | 5760kg |
| Total | 6500kg |

### Options

|         |   |
|---------|---|
| Options | H31: 4495/7995kg GVM/GCM Rating   |
|         | R84: Fire Service delete power pack option - without driver & far passenger airbag, central locking or electrical front windows |

### Steering

|                 |                            |
|-----------------|----------------------------|
| Type            | Integral Ball and Nut Type |
| Steering Column | Tilt/Telescopic Adjustable |
| Power Assist    | Standard                   |

**FUSO**

# CANTER SPECIFICATIONS

## MODEL

4X4 FG WIDE CREW CAB MWB 5 SP. MAN (FGB71ER6WFBG)

## WHEEL BASE

3415mm

## GVM (optional)

6,500kg (4,495kg)

## GCM (optional)

10,000kg (7,995kg)

| Brakes     |  |
|------------|--|
| Type       | Hydraulic Dual Circuit with Front and Rear Drums   |
| Size Front | 320mm Diameter x 75mm Width  |
| Size Rear  | 320mm Diameter x 110mm Width   |
| Features   | Auto Slack Adjusters<br>ABS plus EBD (Electronic Brake Distribution)<br>Exhaust Brake<br>Brake Priority System |
| Park Brake | Transmission Mounted   |

| Wheels & Tyres     |  |
|--------------------|--|
| Wheel Type         | 7 x Disc Rims (Including Spare)  |
| Wheel Size         | 17.5x6.0-127   |
| Wheel Stud Pattern | 6 Stud   |
| Tyre Size All      | 215/75R17.5 124/123 (tubeless)<br>Off-road Tyres Front and Rear (for Extra Traction) |
| Spare Tyre Carrier | Provided   |

| Chassis          |  |
|------------------|--|
| Type             | Reinforced Tapered Channel with Drop Shape |
| Size             | 192x60x6mm                                 |
| Width            | 752mm                                      |
| Tensile Strength | 440 MPa with 540 MPa Stiffeners            |

| Instruments                |  |
|----------------------------|--|
| Gauges                     | Speedometer with Odometer<br>Tachometer<br>Fuel Level<br>Water Temperature                                   |
| Colour Information Display | Fuel Consumption<br>DPF Bar Chart from 1~9<br>Water Temperature<br>Maintenance Reminder System<br>Tripmeters |

| Multi-Media Package        |   |
|----------------------------|---|
| Satellite Navigation       | GPS navigation specifically designed for commercial vehicle applications, with 3 years of Map updates included. |
| Colour Display             | 8 inch LCD with touch screen control  |
| Phone Connectivity         | Bluetooth® hands free + phone mirroring.  |
| Audio Visual Entertainment | Bluetooth® music streaming compatible<br>Digital radio DAB+ (also AM/FM for areas not covered by DAB+) & USB    |
| Reversing Camera           | 1 Reverse Camera fitted as standard   |
| Compatible                 | Display can accept up to 5 additional cameras#  |
| Notes                      | # Cameras available through spare parts   |

| Standard Features     |   |
|-----------------------|---|
| Airbag(s)             | Dual Air Bags and Seat Belt Pre-Tensioners (Driver & Far Side Passenger)  |
| Cruise Control        | No  |
| Hill Start System     | Yes   |
| Cab Cooling & Heating | Air Conditioner / Heater / Demister   |
| Accessory Power       | 12V Accessory Power Outlet / Cigar Lighter  |
| Driving               | Fuso Multimedia Unit<br>Keyless Central Locking<br>Electric Windows (front only)<br>Cup Holders (2)   |
| Storage               | Lockable Storage under Rear Crew Seats<br>Dual Overhead Storage Pockets<br>In-Dash Centre Document Storage<br>Door Storage Pockets<br>Dash Storage Tray (1 DIN)<br>Coat Hooks |
| Cab: External         | Front End-Outline Marker Lamps<br>Door Side Impact Beams (front only)   |
| Chassis               | Reverse Warning Buzzer<br>Factory Reverse Camera with Infrared Display and Audible Pickup (Supply only in Cabin with Cab Chassis)   |

| Cab Features             |   |
|--------------------------|---|
| Type                     | All Steel Forward Control Manual Tilt   |
| Cab Structure            | ECE-R29 European Cab Strength Approved  |
| Mounting                 | 6 Point Isolated  |
| Additional Engine Access | Removable Engine Access Panel   |
| Colour                   | Natural White   |
| Windscreen Wipers        | 2 Speed + Intermittent Cycle with Integrated Washer Nozzles   |
| Rear Vision Mirrors      | 1 x Internal<br>2 x External Convex (ECE 46) - Heated   |
| Seating Capacity         | 7   |
| Seat Belts               | 4 x Lap Sash Belts and Head Rests for Outside Seating<br>3 x Lap Belts for Centre Seat<br>Drivers Seat Belt Warning (From Aug 20 build) |
| Seat (driver)            | Suspended with Weight Adjustment, LH Arm Rest and Lumbar Support  |
| Seats (passenger)        | Flat Folding, 2 Passenger Bench   |
| Seats (crew cab rear)    | Low Back 4 Passenger Bench Head Rests for Outside Seating Positions   |

| Service Intervals |  |
|-------------------|--|
| Interval*         | 30,000km or 12 Months (whichever occurs first) |

| Warranty                       |   |
|--------------------------------|---|
| Basic/Powertrain               | 5 Years or 200,000kms (whichever occurs first)  |
| Cab Perforation/Anti Corrosion | 5 Years   |
| Notes                          | * based on normal operating conditions and may be reduced when operating under severe conditions. |

| Performance                               |   |
|---|---|
| Turning Circle (kerb to kerb - metres)    | 10.2  |
| Road Speed (km/h) at Max Engine Speed     | 123   |
| Engine Speed (rpm) at 100km/hr (top gear) | 2957  |
| Startability at Rated GVM (theoretical)*  | 51%   |
| Gradeability at Rated GVM (theoretical)*  | 60%   |
| Notes                                     | *This is theoretical performance only. Actual performance may vary under different conditions |

| Mass estimated* |   |
|-----------------|---|
| Front*          | 1940kg  |
| Rear*           | 960kg   |
| Total*          | 2900kg  |
| Notes           | * Mass (est.) includes oil and water but excludes spare wheel, tools & fuel. Weights provided are subject to 3.5% variation (+/-) |

# CANTER SPECIFICATIONS

## MODEL

4X4 FG WIDE CREW CAB MWB 5 SP. MAN (FGB71ER6WFBG)

## WHEEL BASE

3415mm

## GVM (optional)

6,500kg (4,495kg)

## GCM (optional)

10,000kg (7,995kg)

### Dimensions mm

|  |      |
|--|------|
| WFF (Width Front Fender) (mm)                    | 1995 |
| WRA (Width Rear Axle) (mm)                       | 2030 |
| WRT (Width Rear Track) (mm)                      | 1560 |
| Width Frame (mm)                                 | 750  |
| A - Length Overall (mm)                          | 5935 |
| C - Front Overhang (mm)                          | 1125 |
| D - Wheelbase (mm)                               | 3415 |
| G - Front Axle to Rear of Cab (mm)               | 1540 |
| H - Rear of Cab to Rearmost Item Behind Cab (mm) | 67   |
| I - Rearmost Item Behind Cab to Rear Axle (mm)   | 1808 |
| J - Frame, Rear Axle to End (mm)                 | 1395 |
| O - Air Intake to Cab Roof (mm)                  | 117  |
| P - Height Cab to Ground (mm)                    | 2494 |
| Q - Height Cab to Frame (mm)                     | 1674 |
| R - Height Rear Frame to Ground (mm)             | 879  |

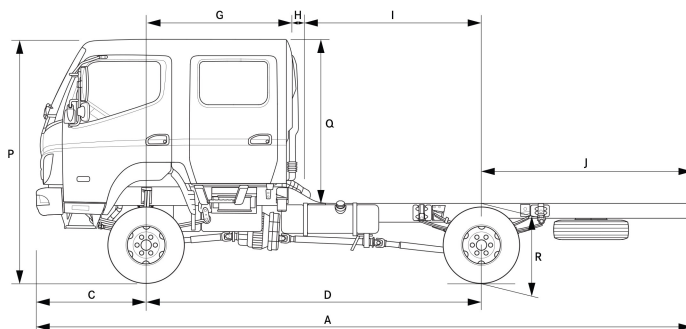
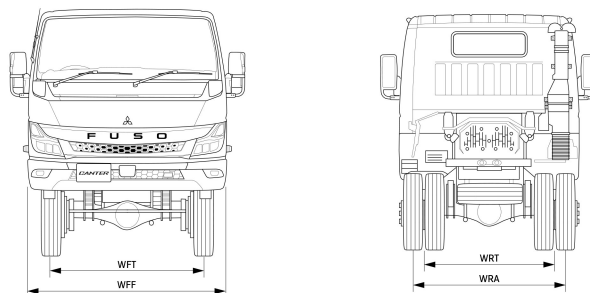
### Body Builder's Notes

#### Notes

Chassis reinforcement must be utilised for Tipper/ Demountable type body configurations. To conform with ADR 13/00 and 14/02 (lighting/mirror requirements) the following must be adhered to at body installation.

- If overall width exceeds 2.1 metres and other than flat type or tipper body is fitted, rear end-outline markers must be installed.
- If overall length exceeds 6.0 metres, side reflectors must be installed.
- If overall length exceeds 7.5 metres and width exceeds 2.1 metres, side marker lamps must be installed.
- If overall width is less than 2.2 metres, the mirrors must be modified to project not more than 230mm.

To conform with ADR 42/04 (General Safety), rear wheel guards must be fitted to the vehicle.



**Call 1800 033 557**

or visit [fuso.com.au](http://fuso.com.au)

Unless specified in writing herein the accessories, applications, bodies or equipment depicted in this are for illustration purposes only and may not be available from Daimler Truck Australia Pacific Pty Ltd. ABN 86 618 413 282 DTAuP. No representation or warranty whatsoever is given in relation to any accessories, applications, bodies or equipment or suitability of same that are shown herein that may be manufactured, supplied or fitted by a party other than DTAuP. DTAuP reserves the right without notice or obligation to discontinue or make changes to the colour, designs, materials and specifications of the products and options referred to herein at any time. For the most current information and in order to ascertain which accessories, applications, bodies and equipment are available from DTAuP please contact your authorised FUSO dealer. Fuso is a registered trademark of Daimler Truck Australia Pacific Pty Ltd. Copyright DTAuP. Reproduction in whole or part prohibited without written approval. Valid from 20-Mar-24.