

HEAVY

FUSO

Heavy FV54 6x4.

AMT / AIR SUSP. / PRIME MOVER



ADR APPROVED SLEEPER CAB.

GVM

24,000 KG

GCM

63,000 KG

Power/Torque

455_{HP} / 2,200_{NM}

- Heavy-combination licence required

DAIMLER

FUSO.COM.AU

FUSO

JOB DONE

SPECIFICATIONS

FUSO

HEAVY

MODEL

A	6x4 FV54 Std Roof PM 455hp Air Susp. 12 Sp. AMT (FV54SJR5VFAA)
A	6x4 FV54 Std Roof PM 455hp Air Susp. 12 Sp. AMT (FV54SJR5VFAC)
B	6x4 FV54 High Roof PM 455hp Air Susp. 12 Sp. AMT (FV54SJR5VFAD)
B	6x4 FV54 High Roof PM 455hp Air Susp. 12 Sp. AMT (FV54SJR5VFB)

WHEEL BASE

3860mm
3860mm
3860mm
3860mm

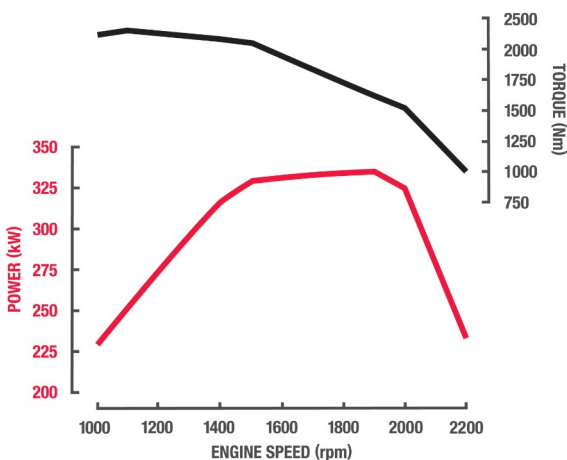
GVM (optional)

24,000kg
24,000kg
24,000kg
24,000kg

GCM (optional)

60,000kg
63,000kg
63,000kg
60,000kg

Engine	
Engine Version	FUSO OM457-T5 Diesel
Configuration	6 Cyl. In-line OHV
Type	Waste-gate Turbocharged with Air to Air Intercooled
Displacement	12 litre (11967cc)
Bore	128mm
Stroke	155mm
Power (DIN)	335kW @ 1900 rpm
Torque (DIN)	2200 Nm (1622 lb.ft) @ 1100 rpm
Maximum Engine Speed	2100 rpm
Cooling System / Oil Cooler	Water cooled, 32.0L capacity/ Plate type engine oil cooler
Air Cleaner	Paper Element Type with Restrictor Indicator. Vertical Intake Mounted on Clean Air Side (RH)
Emission Control	Selective Catalytic Reduction (SCR)
Emission Level	ADR 80/03 - Euro 5



Fuel	
Injection System	Electronically Controlled Unit Pump Injection
Tank Type	Rectangular Alloy Tank with Locking Cap
Fuel Capacity *	350 Litres
Filtration	Filter with Water Separator and Dash Indicator
AdBlue Exhaust Fluid Capacity	40 Litres, Tank fitted with locking AdBlue cap
Speed Limiter	Speed Limited 100km/h
Notes	*Max Fill to approx 95% of Air Capacity

Cooling	
Fan Drive	Thermo modulated continuous control (Viscous)
Radiator	Corrugated Fin with Expansion Tank

Electrical	
Voltage	24V Negative Ground
Alternator Capacity	24V-80 amp
Starter Capacity	24V-7.0kW
Battery Capacity	2x12V, 150Ah/20hr
Battery Specification	2x145G51 (N150)
Headlamp Type	Halogen
Headlamp Capacity	Low beam 2x70W High beam 2x70W
Fog Light	Halogen

Clutch	
Clutch Model	FUSO MFZ
Type	Twin Plate
Operation/Specification	Automated Manual (no clutch pedal)

Transmission	
Version	FUSO Automated Manual G330-12
Type/Speeds	12 Speed Automated Manual with Auto, Economy and Manual Modes
Features	Crawler Mode Skip Shift Function for Light Loads ECO Mode to Minimise Fuel Usage
Ratios	1st: 11.639 2nd: 9.020 3rd: 7.035 4th: 5.452 5th: 4.400 6th: 3.410 7th: 2.645 8th: 2.050 9th: 1.599 10th: 1.239 11th: 1.000 12th: 0.775 RHigh: 9.900 RLow: 12.774 Torque limited to 1853Nm from 1st to 3rd and Reverse
PTO Opening	Rear of Transmission

Propeller Shaft	
Type	Single Main Shaft GW5E2200 Inter-axle Shaft P12

Front Axle	
Axle Version	FUSO F090T
Type	Reverse Elliot 'I' Beam
Capacity *	7500kg
Notes	*See MAX LOADING for vehicle capacity.

Front Suspension	
Type	Long Taper Leaf with Stabiliser Bar and Double Acting Shock Absorbers
Size	1500x90mm Leaves

Rear Axle	
Type	Full Floating Hypoid Type Tandem Drive with Inter-Axle Diff Lock
Axle Version	FUSO R12/D12
Capacity*	21600kg
Ratio	4.625:1
Notes	*See MAX LOADING for vehicle capacities

Rear Suspension	
Type	Air Suspension
Details	Trailing Arm with Air Dump Control and Double Acting Shock Absorbers
Air Spring	2x250mm dia
Road Friendly Certification	RF2011
Number	
Capacity at Ground *	18000kg total*
Notes	*See MAX LOADING for vehicle capacities

Max Loading	
Front	6500kg
Rear	18000kg
Total	24000kg

Options	
Options	R02: Limited Slip Differential (LSD) for Both Diffs

SPECIFICATIONS

FUSO

HEAVY

MODEL

A	6x4 FV54 Std Roof PM 455hp Air Susp. 12 Sp. AMT (FV54SJR5VFAA)
A	6x4 FV54 Std Roof PM 455hp Air Susp. 12 Sp. AMT (FV54SJR5VFAC)
B	6x4 FV54 High Roof PM 455hp Air Susp. 12 Sp. AMT (FV54SJR5VFAD)
B	6x4 FV54 High Roof PM 455hp Air Susp. 12 Sp. AMT (FV54SJR5VFAB)

WHEEL BASE

3860mm
3860mm
3860mm
3860mm

GVM (optional)

24,000kg
24,000kg
24,000kg
24,000kg

GCM (optional)

60,000kg
63,000kg
63,000kg
60,000kg

Steering		Multi-Media Package	
Type	Integral Ball and Nut	Satellite Navigation	Maps with heavy vehicle weight, length, height & hazardous material selectable restrictions with 3 years of Map updates
Steering Column	Tilt/Telescopic Adjustable	Colour Display	6.1 inch LCD with touch screen control
Brakes		Phone Connectivity	Bluetooth® hands free
Type	Full Air, Dual Circuit with FUSO Taper Rollers, ABS plus ASR (Anti Slip Regulator)	Audio Visual Entertainment	CD/DVD player Digital radio DAB+ (also AM/FM for areas not covered by DAB+)
Size Front	410x150mm	Reversing Camera	Display can accept up to 3 cameras#
Size Rear	410x200mm	Compatible	
Park Brake	Rear Wheel Spring Actuated	Notes	# Cameras available through spare parts
Engine	Constant Throttle Brake 4 Levels of Retardation	Standard Features	
Trailer	Hand Control Valve, Air Lines Coupling and Electrical Cable	Airbag(s)	Driver's Air Bag and Seat Belt Pre-tensioners
Wheels & Tyres		Hill Start System	Yes
Wheel Type	11, Single Piece Alloy Disc (Including Spare)	Cab Cooling & Heating	Climate Control
Wheel Size	22.5x8.25DC	Accessory Power	24V Accessory Power Outlet / Cigar Lighter
Wheel Stud Pattern	10x335mm PCD	Driving	Suspended Driver's Seat Central Locking Electric Windows Cruise Control (range 40 to 100km/h) LH Transom Window Opening Rear Quarter Glass Cup Holder Fluorescent Cabin Lamp Trailer Package including Trailer 'Stretch Brake'
Tyre Size Front	295/80R22.5 152/148	Storage	Centre Storage Console Dash Storage Tray 2 DIN Driver's Overhead Storage Coat Hooks
Tyre Size Rear	11R22.5 148/145	Cab: External	Fog Lights Door Side Impact Beams Roof Mounting Points (max. static load 70kg) Front End-Outline Marker Lamps
Tyre Size Spare	295/80R22.5 152/148	Chassis	Integrated Front Underrun System (FUPS) Reverse Warning Buzzer Clear Top of Chassis Rail for ease of Body Fitment
Spare Tyre Carrier	Not Provided	Cab Features	
Chassis		Type	All Steel Forward Control Elec / Hyd Tilt Cab
Type	Reinforced Parallel Channel Rear of Chassis Tapered to Suit Tractor	Cab Structure	ECE-R29 Standard
Size	300x90x7.0 mm	Mounting	Air Suspended Front and Rear
Width	840 mm	Colour	Natural White
Tensile Strength	540Mpa	Windscreen Wipers	2 Speed + Intermittent Cycle with Integrated Washer Nozzles
Instruments		Rear Vision Mirrors	2 x External Flat Main Mirrors Plus Convex Spotters Motorised Main Mirrors, All Mirrors Heated
Gauges	Speedometer with Odometer Tachometer Air Pressure (2) Fuel Level Water Temperature AdBlue Level	Seating Capacity	2
Colour Information Display	Fuel Consumption Service Indicators Hour Meter and Tripmeter Oil Level Check	Seat Belts	2 x Lap Sash with ELR. Driver pre-tensioner
Warning Lamps	ABS ASR Turn Signal High Beam Engine Brake & Shift Down Brake Fog Lamp All Major System Faults Oil Level Ad Blue Low Air Suspension Low Alternator Differential Lock Cruise Control Cab Tilt Lock	Seat (driver)	Suspended (ISRI)
Warning Lamp/Buzzer	Air Pressure Oil Pressure Hill Start Park Brake Engine Overrun Engine Overheat / Low Coolant Level	Seats (passenger)	High Back Fixed Base
		Sleeping	ADR42/04 Approved Sleeping Berth
		Service Intervals	
		Interval*	40,000km or 12 Months (whichever occurs first)
		Notes	* based on normal operating conditions and may be reduced when operating under severe conditions.
		Warranty	
		Basic/Powertrain	5 Years or 500,000kms (whichever occurs first)
		Cab Perforation/Anti Corrosion	A B 5 Years A B 3 Years
		Performance	
		Turning Circle (kerb to kerb - metres)	A A 12.8 B B 13.0
		Electronically Speed Limited to:	100km/hr Conforms to ADR65/..
		Engine Speed (rpm) at 100km/hr (top gear)	1882
		Gradeability at Rated GCM (theoretical)*	26%
		Notes	*This is theoretical performance only. Actual performance may vary under different conditions

SPECIFICATIONS



HEAVY

MODEL

- A 6x4 FV54 Std Roof PM 455hp Air Susp. 12 Sp. AMT (FV54SJR5VFAA)
- A 6x4 FV54 Std Roof PM 455hp Air Susp. 12 Sp. AMT (FV54SJR5VFAC)
- B 6x4 FV54 High Roof PM 455hp Air Susp. 12 Sp. AMT (FV54SJR5VFAD)
- B 6x4 FV54 High Roof PM 455hp Air Susp. 12 Sp. AMT (FV54SJR5VFB)

WHEEL BASE

- 3860mm
- 3860mm
- 3860mm
- 3860mm

GVM (optional)

- 24,000kg
- 24,000kg
- 24,000kg
- 24,000kg

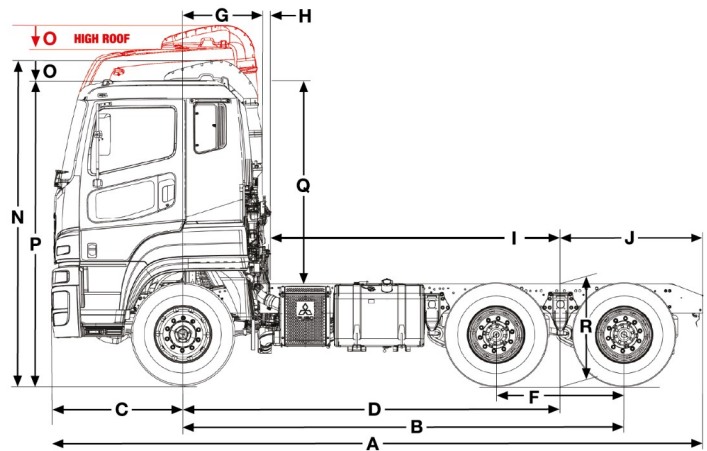
GCM (optional)

- 60,000kg
- 63,000kg
- 63,000kg
- 60,000kg

Mass estimated*		
Front*	A A	B B
	4390kg	4450kg
Rear*	A A	B B
	3175kg	3265kg
Total*	A A	B B
	7565kg	7715kg
Notes	* Mass (est.) includes oil and water but excludes spare wheel, tools & fuel. Weights provided are subject to 3.5% variation (+/-)	

Dimensions mm		
WFF (Width Front Fender) (mm)	2490	
WRA (Width Rear Axle) (mm)	2485	
WFT (Width Front Track) (mm)	A A	B B
	2055	2075
WRT (Width Rear Track) (mm)	A A	B B
	1850	1865
Width Frame (mm)	840	
A - Length Overall (mm)	6690	
B - Extreme Axle Spacing (mm)	4520	
C - Front Overhang (mm)	1370	
D - Wheelbase (mm)	3860	
F - Rear Axle Spacing (mm)	1320	
G - Front Axle to Rear of Cab (mm)	700	
H - Rear of Cab to Rearmost Item Behind Cab (mm)	183	
I - Rearmost Item Behind Cab to Rear Axle (mm)	2977	
J - Frame, Rear Axle to End (mm)	1460	
N - Height Overall (mm)	A A	B B
	3299	3648
O - Air Intake to Cab Roof (mm)	A A	B B
	205	225
P - Height Cab to Ground (mm)	A A	B B
	3094	3423
Q - Height Cab to Frame (mm)	A A	B B
	2090	2420
R - Height Rear Frame to Ground (mm)	Inflated: 1033 Deflated: 976	

Body Builder's Notes	
Notes	Chassis reinforcement must be utilised for Tipper/Demountable type body configurations. To conform with ADR 13/00 (lighting requirements) the following must be adhered to at body installation. <ul style="list-style-type: none"> - If other than a flat type or tipper body is fitted, rear end out-line marker lamps must be installed. - If overall length exceeds 6.0 metres, side reflectors must be installed. - If overall length exceeds 7.5 metres, side marker lamps must be installed. To conform with ADR 42/04 (General Safety), rear wheel guards must be fitted to the vehicle.



Call 1800 033 557

or visit fuso.com.au

Unless specified in writing herein the accessories, applications, bodies or equipment depicted in this document are for illustration purposes only and may not be available from Daimler Truck and Bus Australia Pacific Pty Ltd. (ABN 86 618 413 282) (DTB). No representation or warranty whatsoever is given in relation to any accessories, applications, bodies or equipment or suitability of same that are shown herein that may be manufactured, supplied or fitted by a party other than DTB. DTB reserves the right without notice or obligation to discontinue or make changes to the colour, designs, materials and specifications of the products and options referred to herein at any time. For the most current information and in order to ascertain which accessories, applications, bodies and equipment are available from DTB please contact your authorised FUSO Truck and Bus dealer. Fuso is a registered trademark of Daimler Truck and Bus Australia Pacific Pty Ltd. Copyright DTB. Reproduction in whole or part prohibited without written approval. Part Number TSH56A-SSV1. Valid from 01-Oct-18.