

FUSO CANTER

CANTER 515

4X2 / CITY CAB / DUONIC DCT



**OUR SAFEST CANTER EVER WITH AEB, LDWS AND ESP STANDARD
CLASS LEADING TARE WEIGHT AND 30,000KM SERVICE INTERVALS**

GVM

4,495_{KG}

GCM

7,995_{KG}

Power/Torque

110_{KW} / 370_{NM}

- Can be driven on a passenger car licence

CANTER SPECIFICATIONS

MODEL

A	4X2 515 CITY CAB SWB 6 SP. DUONIC AMT (FEA21CR3SFBC)
B	4X2 515 CITY CAB MWB 6 SP. DUONIC AMT (FEA21ER3SFBC)

WHEEL BASE

2800mm
3400mm

GVM (optional)

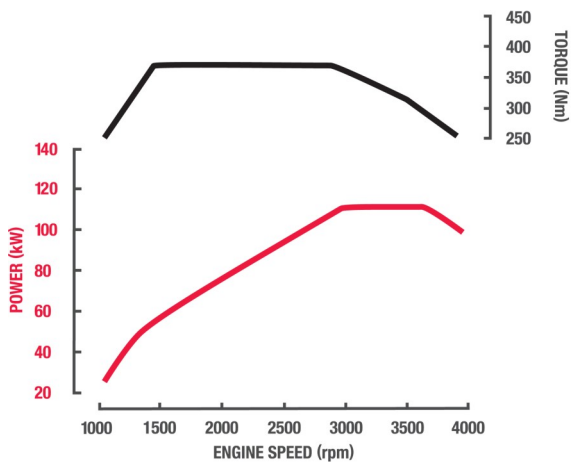
4,495kg
4,495kg

GCM (optional)

7,995kg
7,995kg

Engine

Engine Version	FUSO 4P10-T4 Diesel
Configuration	4 Cyl. In-line DOHC, 4-Valve
Injection System	Bosch Common Rail Direct Injection Bosch Piezo Technology Injectors
Type	Variable Geometry Turbo Charged Air to Air Intercooled
Displacement	3 litre (2998cc)
Bore	95.8mm
Stroke	104mm
Power (DIN)	110kW @ 2840~3500 rpm
Torque (DIN)	370Nm @ 1350~2840 rpm
Maximum Engine Speed	4100 rpm
Compression Ratio	17.5:1
Cooling System / Oil Cooler	Water cooled, 13.0L capacity/ Plate type engine oil cooler
Air Cleaner	Paper Element Type with Restrictor Indicator. Vertical Intake Mounted on Clean Air Side (RH)
Emission Control	Diesel Particulate Filter (DPF) Exhaust Dash Display DPF Status 0~9 (Empty~Full) Parked Regeneration possible from 7~9
Emission Level	ADR 80/03 - Euro 5



Fuel

Tank Type	Rectangular Steel Tank with Locking Cap
Fuel Capacity *	100 Litres
Filtration	Filter with Water Separator and Indicator Sensor
Notes	*Max Fill to approx 95% of capacity

Cooling

Fan Drive	Thermo modulated continuous control (Viscous)
Radiator	Corrugated Fin with Expansion Tank

Electrical

Voltage	12V Negative Earth
Battery Capacity	2x12V, 70Ah/5hr
Battery Specification	115D31L x2
Headlamp Type	Halogen
Headlamp Capacity	2x55W/60W
Body Builder Harness	Yes*
Notes	*Standard from October 2021 build

Clutch

Clutch Model	Fully Automated Dual Clutch (no clutch pedal)
Type	Dual Clutch (Wet Multi-plate)

Transmission

Version	FUSO DUONIC M038S6
Type/Speeds	6 Speed Dual Clutch with Auto and Manual Modes
Features	Virtually Instant Gear Changes In-Dash Gear Lever with Park Brake Position ECO Mode to Minimise Fuel Usage
Ratios	1st: 5.397 2nd: 3.788 3rd: 2.310 4th: 1.474 5th: 1.000 6th: 0.701 Rev. 5.397
PTO Opening	LH Side

Front Axle

Axle Version	FUSO F200T
Type	Independent Front Suspension
Capacity *	2300kg
Notes	*See MAX LOADING for vehicle capacity.

Front Suspension

Type	Double Wishbone Independent Front Suspension with Coil Springs and Shock Absorbers
------	--

Rear Axle

Type	Full Floating Banjo Type
Axle Version	FUSO R030T
Capacity*	3800kg
Ratio	4.444:1
Notes	*See MAX LOADING for vehicle capacity.

Rear Suspension

Type	Steel Suspension
Details	Parabolic Leaf with Shock Absorbers
Size Main Leaves	1100x70mm

Max Loading

Front	2180kg
Rear	3800kg
Total	4495kg

Options

Steering

Type	Rack & Pinion
Steering Column	Tilt/Telescopic Adjustable
Power Assist	Standard

Brakes

Type	Hydraulic Dual Circuit with Front and Rear Discs
Size Front	219x28mm
Size Rear	219x28mm
Features	ABS plus EBD (Electronic Brake Distribution) Active Emergency Braking System (AEBS) Electronic Stability Program (ESP) Exhaust Brake Electronic Brake Wear Sensors
Park Brake	Transmission Mounted

CANTER SPECIFICATIONS

MODEL

A	4X2 515 CITY CAB SWB 6 SP. DUONIC AMT (FEA21CR3SFBC)
B	4X2 515 CITY CAB MWB 6 SP. DUONIC AMT (FEA21ER3SFBC)

WHEEL BASE

2800mm
3400mm

GVM (optional)

4,495kg
4,495kg

GCM (optional)

7,995kg
7,995kg

Wheels & Tyres

Wheel Type	7 x Single Piece Disc Rims (Including Spare)
Wheel Size	16.0x5.5K-115
Wheel Stud Pattern	5 Stud 208 PCD
Tyre Size All	185/85R16 111/109
Spare Tyre Carrier	Provided

Chassis

Type	Reinforced Tapered Channel
Size	188x60x4mm
Width	699mm
Tensile Strength	440 MPa

Instruments

Gauges	Speedometer with Odometer Tachometer Fuel Level Water Temperature
Colour Information Display	Fuel Consumption DPF Bar Chart from 1~9 Water Temperature Lane Departure Warning Maintenance Reminder System Tripmeters

Multi-Media Package

Satellite Navigation	GPS navigation specifically designed for commercial vehicle applications, with 3 years of Map updates included.
Colour Display	7 inch LCD with touch screen control
Phone Connectivity	Bluetooth® hands free
Audio Visual Entertainment	Bluetooth® music streaming compatible Digital radio DAB+ (also AM/FM for areas not covered by DAB+) & USB
Camera Compatibility	Reverse camera (Factory Fitted) + 5 additional camera options #
Notes	# Cameras available through spare parts

Standard Features

Airbag(s)	Dual Air Bags and Seat Belt Pre-Tensioners (Driver & Far Side Passenger)
Active Safety Features	ABS plus Electronic Brake force Distribution (EBD) Advanced Emergency Braking (AEBS) Anti-Slip Regulator (ASR) Electronic Stability Program (ESP) Lane Departure Warning System (LDWS)
Cruise Control	Yes
Hill Start System	Yes
Cab Cooling & Heating	Air Conditioner / Heater / Demister
Accessory Power	12V Accessory Power Outlet / Cigar Lighter
Driving	Fuso Multimedia Unit Keyless Central Locking Electric Windows Cup Holders 2 3 seats
Storage	Dual Overhead Storage Pockets In-Dash Centre Document Storage Door Storage Pockets Dash Storage Tray (1 DIN) Coat Hooks
Cab: External	Door Side Impact Beams
Chassis	Reverse Warning Buzzer Factory Reverse Camera with Infrared Display and Audible Pickup (Supply only in Cabin with Cab Chassis)

Service Intervals

Interval*	30,000km or 12 Months (whichever occurs first)
-----------	--

Warranty*

Basic/Powertrain	5 Years or 200,000kms (whichever occurs first)
Cab Perforation/Anti Corrosion	5 Years
Notes	* Please refer to Fuso Owners Warranty Booklet for additional terms and conditions.

Performance

Turning Circle (kerb to kerb - metres)	A 9.8	B 11.8
Road Speed (km/h) at Max Engine Speed	145	
Engine Speed (rpm) at 100km/hr (top gear)	A 2346	B 2420
Gradeability at Rated GVM (theoretical)*	45%	
Notes	*This is theoretical performance only. Actual performance may vary under different conditions	

Mass estimated*

Front*	A 1365kg	B 1390kg
Rear*	A 535kg	B 540kg
Total*	A 1900kg	B 1930kg
Notes	* Mass (est.) includes oil and water but excludes spare wheel, tools & fuel. Weights provided are subject to 3.5% variation (+/-)	

Dimensions mm

WFF (Width Front Fender) (mm)	1695	
WRA (Width Rear Axle) (mm)	1869	
WRT (Width Rear Track) (mm)	1435	
Width Frame (mm)	699	
A - Length Overall (mm)	A 4985	B 5785
C - Front Overhang (mm)	990	
D - Wheelbase (mm)	A 2800	B 3400
G - Front Axle to Rear of Cab (mm)	525	
H - Rear of Cab to Rearmost Item Behind Cab (mm)	50	
I - Rearmost Item Behind Cab to Rear Axle (mm)	A 2225	B 2825
J - Frame, Rear Axle to End (mm)	A 1195	B 1395
P - Height Cab to Ground (mm)	2100	
Q - Height Cab to Frame (mm)	1471	
R - Height Rear Frame to Ground (mm)	A 728	B 727

CANTER SPECIFICATIONS

MODEL	WHEEL BASE	GVM (optional)	GCM (optional)
A 4X2 515 CITY CAB SWB 6 SP. DUONIC AMT (FEA21CR3SFBC)	2800mm	4,495kg	7,995kg
B 4X2 515 CITY CAB MWB 6 SP. DUONIC AMT (FEA21ER3SFBC)	3400mm	4,495kg	7,995kg

Body Builder's Notes

Notes

Chassis reinforcement must be utilised for Tipper/ Demountable type body configurations.

To conform with ADR 13/00 and 14/02 (lighting/mirror requirements) the following must be adhered to at body installation.

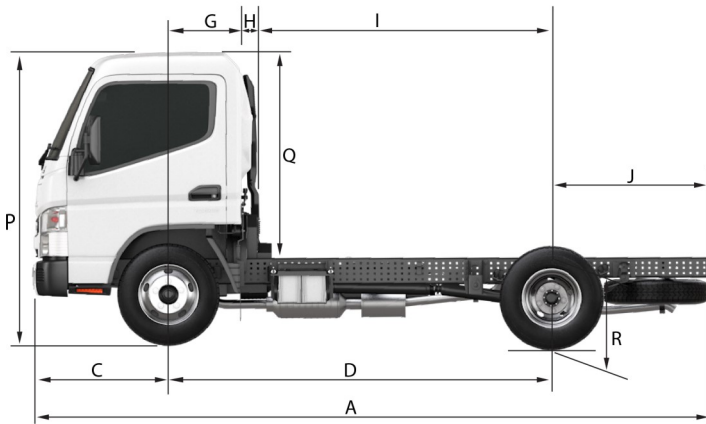
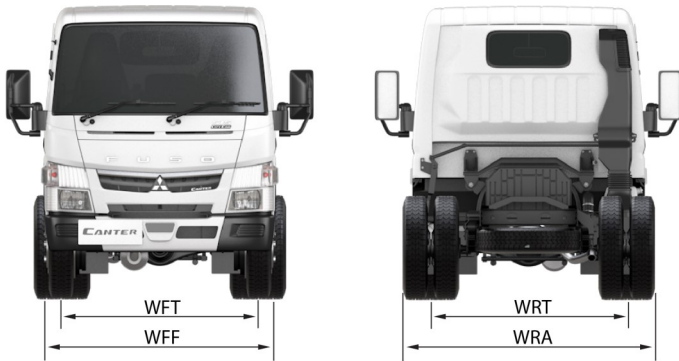
- If overall width exceeds 2.1 metres and other than flat type or tipper body is fitted, rear end-outline markers must be installed.
- If overall length exceeds 6.0 metres, side reflectors must be installed.
- If overall length exceeds 7.5 metres and width exceeds 2.1 metres, side marker lamps must be installed.
- If overall width is less than 1.9 metres, the mirrors must be modified to project not more than 230mm.

To conform with ADR 42/04 (General Safety), rear wheel guards must be fitted to the vehicle.



Call 1800 033 557

or visit fuso.com.au



Unless specified in writing herein the accessories, applications, bodies or equipment depicted in this are for illustration purposes only and may not be available from Daimler Truck Australia Pacific Pty Ltd. ABN 86 618 413 282 DTAuP. No representation or warranty whatsoever is given in relation to any accessories, applications, bodies or equipment or suitability of same that are shown herein that may be manufactured, supplied or fitted by a party other than DTAuP. DTAuP reserves the right without notice or obligation to discontinue or make changes to the colour, designs, materials and specifications of the products and options referred to herein at any time. For the most current information and in order to ascertain which accessories, applications, bodies and equipment are available from DTAuP please contact your authorised FUSO dealer. Fuso is a registered trademark of Daimler Truck Australia Pacific Pty Ltd. Copyright DTAuP. Reproduction in whole or part prohibited without written approval. Part Number TSC110E-SSV1. Valid from 05-Nov-21.