



The new Actros

4x2 Rigid

M-Cab ClassicSpace

1835, 1840, 1843, 1846

Mercedes-Benz

Trucks you can trust



4x2 Rigid

M-Cab ClassicSpace

The extensive range of Rigid models from Mercedes-Benz Trucks set new standards in light-duty and local distribution haulage, thanks to its high efficiency and reliability. Designed to meet modern business needs, each model offers a versatile, application specific configuration for a wide range of sectors. The Rigid models from Mercedes-Benz Trucks are star-quality trucks ahead of their time.

Models at a glance

Model	Engine and transmission	Cab	Weight front	Weight rear
Actros 1835	OM 936, 354hp + G140-8	M-Cab Classic 2.3 with 320mm tunnel	4,344	2,049
Actros 1840	OM 470, 394hp + G211-12	M-Cab Classic 2.3 with 320mm tunnel	4,736	2,075
Actros 1843	OM 470, 428hp + G211-12	M-Cab Classic 2.3 with 320mm tunnel	4,736	2,075
Actros 1846	OM 470, 455hp + G211-12	M-Cab Classic 2.3 with 320mm tunnel	4,736	2,075

Weights include full AdBlue, 75kg driver, no fuel.



M-Cab ClassicSpace 2.30m, tunnel 320mm

Model Specifications

Engine

Engine Model	OM 936	OM 470	OM 470	OM 470
Capacity	7.7l	10.7l	10.7l	10.7l
Power	260kW (354hp)	290kW (394hp)	315kW (428hp)	335kW (455hp)
Torque	1400Nm (1,033ft.lb)	1900Nm (1,401ft.lb)	2100Nm (1,549ft.lb)	2200Nm (1,623ft.lb)

Cab

Multimedia cockpit

Truck navigation

Digital radio

Driver's suspension seat, standard

Fold-up co-driver's seat

Air conditioning system

Windscreen, tinted, with filter band

Optional equipment

- Driver's suspension seat, comfort
 - Co-driver's suspension seat, comfort
 - Cab rear wall with window
 - Curtain along side of bed(s)
 - Construction-site filter
 - MirrorCam
 - Two additional remote control keys
 - Multimedia cockpit, interactive
 - Toolkit
 - Mercedes star, illuminated from behind
 - Adjustable air deflectors
 - Air deflector, snap-in, with cab side deflectors
 - Sun visor, exterior, transparent
 - Cab roof air horns
 - Extended central locking
 - Compressed-air gun with hose
 - Internal yellow grab handles
-

Driveline

G140 - 8 speed PowerShift Transmission with single plate clutch and 3.909 RAR engine RPM 1,589 @ 100km/h

G211 - 12 speed PowerShift Transmission with single plate clutch and 2.733 RAR engine RPM 1,413 @ 100km/h

Optional equipment

- Predictive Powertrain Control
 - Power Take Off (PTO) MB 131-2c, pump
 - Engine Power Take Off (PTO), rear, c, hydraulic pump ISO 7653D
-

Front axle and suspension

7.5t offset front axle with 7.5t two leaf springs

Rear axle and suspension

13.0t hypoid rear axle with differential locks, four bag rear air suspension

Optional equipment

- Axle load measuring device¹
-

Brakes

Disc brake, with Electronic Braking System (EBS)

Anti-lock Braking System (ABS)

Traction Control System (ASR)

High performance engine brake

Trailer brake, 2-line, brake connections, left

Stability control assist

Electronic park brake with HOLD function

Optional equipment

- Independent trailer brake
 - Independent trailer brake, electronic
-

Wheelbase and frame

6400mm wheelbase with 3000mm rear overhang

Optional equipment

- Wheelbase 5500mm²
 - Wheelbase 5800mm
-

Electrical

Chassis mounted battery carrier left hand side

100A alternator with two 220Ah AGM batteries

2nd generation PSM (Body Interface Module)

Mercedes-Benz Telematics hardware and MB Uptime Assist

Mercedes-Benz Telematics 12 month complimentary access

Fleet Management System (FMS) gateway

Bi-xenon headlamps

LED daytime runnings light + LED tail light

Air horn, below cab

Optional equipment

- Comfort telephony, wireless charging
 - 12V trailer lighting voltage reducer
 - UHF radio GME TX4500S
 - UHF radio GME XRS370C
 - Additional socket, 12V/15A, co-driver footwell
 - Body interface, behind cab
 - Floodlight, bottom
 - Pre-installation for rotating beacons
 - Pre-installation for additional headlamps, roof
 - Pre-installation for additional indicator lights
 - Pre-installation for flood lamp, cab rear wall
 - Pre-installation and display for up to four cameras
-

Safety

Front facing and kerb mirrors

Automatic park brake engage with door open and 0km/h

Automatic park brake engage with engine switch off

Driver airbag

Seat belt monitor

Rain sensor

Light sensor

Optional equipment

- Safety Pack, inclusive of Lane Keep Assist, Attention Assist, Active Brake Assist 5, Proximity Control Assist, comfort driver's suspension seat and automatic main/dipped beam and cornering light
 - Tyre pressure monitor
-

Fuel, AdBlue and exhaust

390l aluminium fuel tank left hand side

60l AdBlue tank left hand side

Exhaust system, tailpipe to right and outwards

Optional equipment

- Fuel tank, 290l, left hand side, 650W x 565H
 - Second tank, 290l, right hand side, 650W x 565H
 - Fuel tank, 390l, right hand side, 650W X 565H
-

Wheels and tyres

8.25" x 22.5" steel rims with 295/80R 22.5 tyres

Optional equipment

- 8.25" x 22.5" Dura-Bright rims
 - Spare rim and tyre
-

Maximum weights

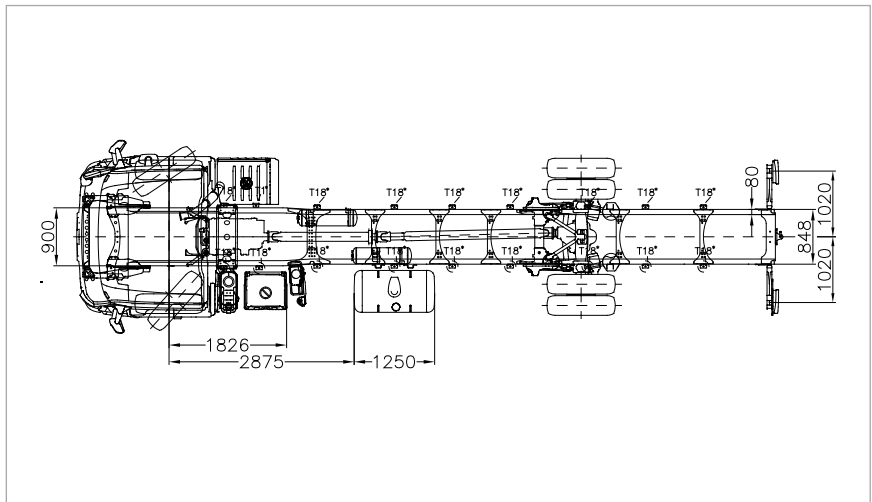
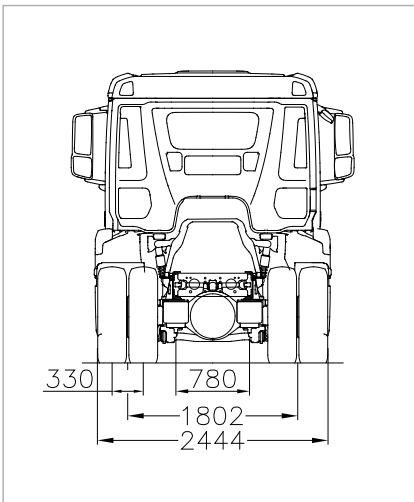
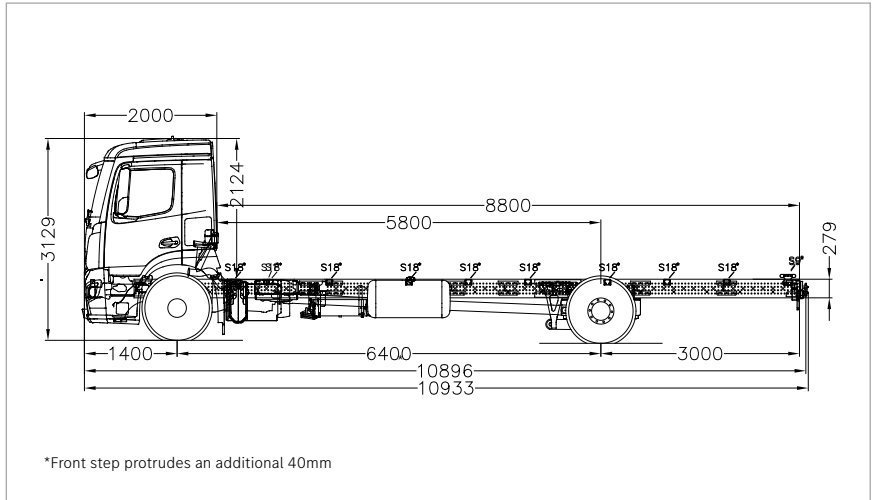
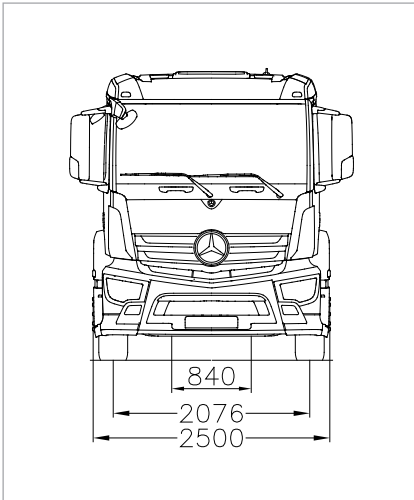
OM 936 - 18,000kg GVM, 36,000kg GCM

OM 470 - 18,000kg GVM, 45,000kg GCM

Warranty

2 year bumper to bumper with 4 year/800,000km driveline warranty

Chassis drawing and dimensions



¹ Indication only - not certified
² Overhang changes to 2400mm

Please note: changes may have been made to the product since this publication went to press (November 2020). The manufacturer reserves the right to make changes to the design, form, colour, specifications to the vehicles or optional equipment without notice, including during the delivery period. The illustrations and texts may include accessories and items of special equipment which are not part of standard specification. Colours may differ slightly from those shown in the brochure, owing to the limitations of the printing process. The images shown are to be considered examples only and do not necessarily reflect the actual state of the original vehicles. The appearance of the original vehicles may differ from these illustrations. Subject to change. This publication may also contain models and services which are not available in certain countries. This brochure is distributed internationally. It provides a general indication of the range of models, features, special equipment and/or colours available in various countries. Some of the models, features, special equipment and/or colours may not be available in your country, or may only be available in a different specification. Additionally, some models, features, special equipment and/or colours may only be available in combination with others. Some equipment depicted either on vehicle illustrations or separately may be non-standard or options and may, where applicable, be available at an additional cost. For current and more specific information on the availability, design features and prices of all models, features, optional extras and/or colours available in Australia or New Zealand, you should contact your authorised Mercedes-Benz Truck Dealer on 1800 033 557 or go to https://www.mercedes-benz-trucks.com/en_AU (Australia), or https://www.mercedes-benz-trucks.com/en_NZ (New Zealand).

Daimler Truck and Bus Australia Pacific Pty Ltd. Mulgrave, Victoria, Australia. ACN 618 413 282. Printed in Australia.